

Saniflo  SFA GROUP

---

**Better Engineering  
Delivers Top  
Performance that  
Uses Less Power  
and Water**

---



**IDEAL RV PLUMBING  
SOLUTIONS**

**Sanimarin<sup>®</sup>**





# Sanimarin<sup>®</sup> Pump

## ELECTRIC RV DRAIN PUMP

Part # 076 (12 V) - Part # 077 (24 V)



### TECHNICAL SPECIFICATIONS

**Voltage/Amperage/Power:**

12V, 28A, 340W / 24V, 15A, 360W

**Discharge:**

12 Ft vertically / 120 Ft horizontally

**Discharge pipe diameter:**

3/4" or 1" (built-in check valve)

**Weight:**

12 Lbs

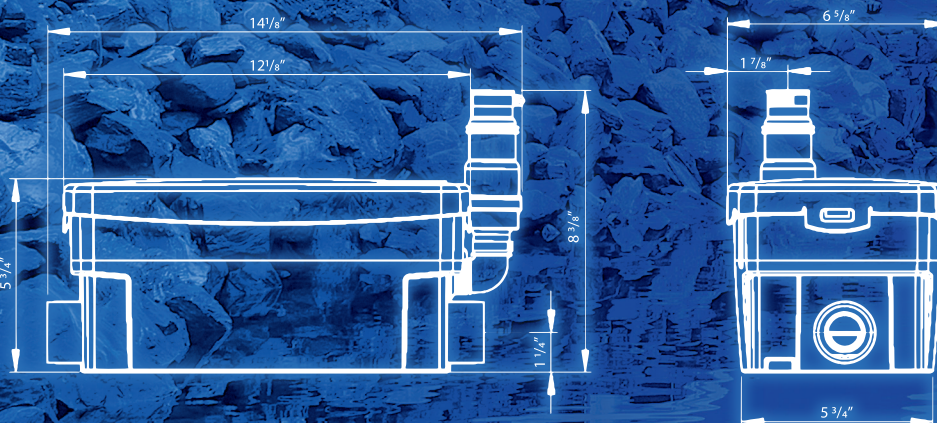
### FEATURES

**Compact design with powerful and quiet operation.**

**Low starting activation level** for quick removal of gray water.

**Two lower inlets** for installation flexibility.

### DIMENSIONS



US 800-571-8191  
CDN 800-363-5874

Saniflo  SFA GROUP

  
sanimarin.com



# Sanimarin® 31

## ELECTRIC RV MACERATING TOILET

Part # 060 (12 V) - Part # 062 (24 V)



### TECHNICAL SPECIFICATIONS

**Voltage/Amperage/Power:**

12V, 25A, 300W / 24V, 15A, 360W

**Discharge:**

10 Ft vertically / 100 Ft horizontally

**Discharge pipe diameter:**

1" or 1-1/2" (built-in check valve)

**Operation running time:**

Eco: 8s / Normal: 15s

**Water consumption:**

Eco: 0.32 gallons

Normal: 0.63 gallons

**Electrical consumption:**

Eco: 12V : 0.056Ah / 24V: 0.032Ah

Normal: 12V: 0.105Ah / 24V: 0.060Ah

**Water use:**

Onboard freshwater

(integrated solenoid valve).\*

Minimum pressure of supplied water is 25 PSI (1.7 bar). Recommended pump flow rate is 2.9 GPM.

**Weight:**

36.2 Lbs

### FEATURES

- **Low profile automatic** macerating toilet system.
- Modern and **lightweight design** with contemporary finish and **quiet operation**.
- **Provided with soft-close toilet seat** and mounting hardware.
- **Compact** with small footprint to fit in confined spaces.
- Equipped with powerful **stainless steel macerating blade**.
- Provided with **control panel** with different flushing options.



US 800-571-8191  
CDN 800-363-5874

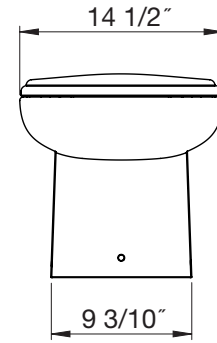
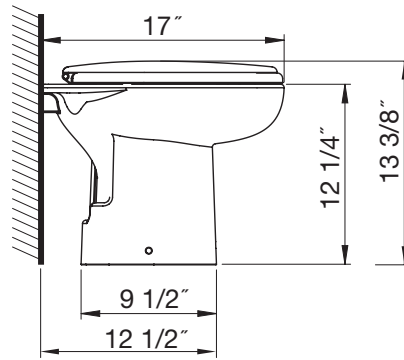
Saniflo  SFA GROUP



sanimarin.com



## DIMENSIONS



## CONTROL SYSTEM



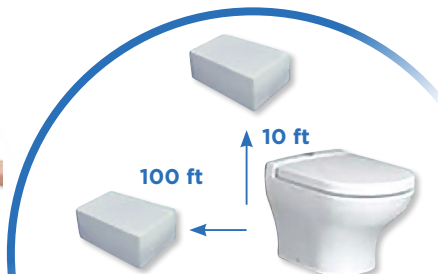
- “Power On” and “Tank Full” indicator lights. (Optional connection to your black water tank gauge).
- Economical flush (0.32 gallons), normal flush (0.63 gallons). Adjustable to up to 0.79 gallons.
- “Empty” button removes water from the bowl. Used for maintenance as well.

## BENEFITS



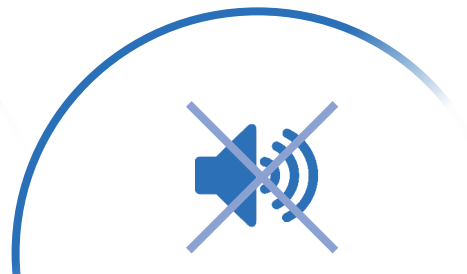
### SIMPLICITY

Installation is very simple as it easily replaces old hand pump toilets.



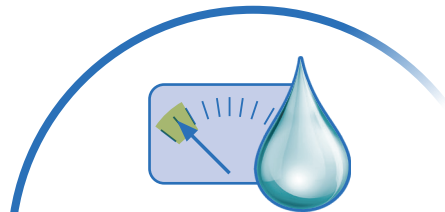
### ENVIRONMENTAL

Eco-friendly pump systems give you flexibility in your installation as the toilet and black water tank can be several feet away.



### SILENT

These systems are the quietest electric toilets on the market.



### EFFICIENT

Economical systems as water and electrical consumption are minimum.



### SOLIDLY BUILT

Excellent macerating system patented more than 60 years ago for worldwide use.



# Sanimarin® 4

## ELECTRIC RV MACERATING TOILET

Part # 070 (12 V) - Part # 072 (24 V)



### TECHNICAL SPECIFICATIONS

**Voltage/Amperage/Power:**

12V, 25A, 300W / 24V, 15A, 360W

**Discharge:**

10 Ft vertically / 100 Ft horizontally

**Discharge pipe diameter:**

1" or 1-1/2" (built-in check valve)

**Operation running time:**

Eco: 13s / Normal: 15s

**Water consumption:**

Eco: 0.63 gallons

Normal: 0.79 gallons

**Electrical consumption:**

Eco: 12V : 0.091Ah / 24V: 0.052Ah

Normal: 12V: 0.105Ah / 24V: 0.060Ah

**Water use:**

Onboard freshwater

(integrated solenoid valve).

Minimum pressure of supplied water is 25 PSI (1.7 bar). Recommended pump flow rate is 2.9 GPM.

**Weight:**

52.5 Lbs



### FEATURES

- **Standard height and comfortable sized** macerating toilet system.
- **Strongly-built, reliable and comfortable** design ensures the role of a traditional toilet.
- **Provided with soft-close toilet seat** and mounting hardware.
- Equipped with powerful **stainless steel macerating blade**.
- Provided with **control panel** with different flushing options.

US 800-571-8191  
CDN 800-363-5874

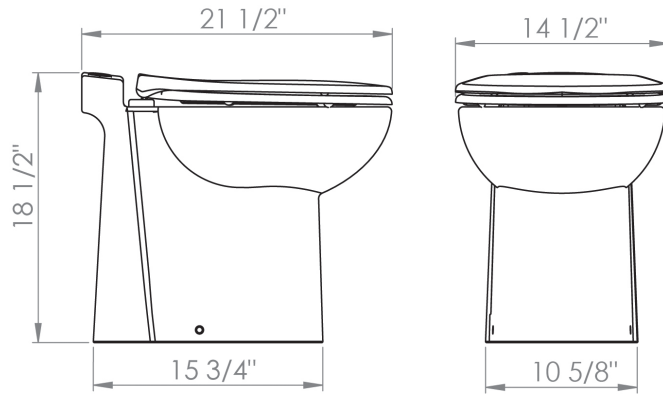
Saniflo  SFA GROUP



sanimarin.com



## DIMENSIONS



## CONTROL SYSTEM



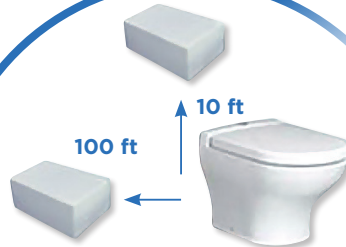
- “Power On” and “Tank Full” indicator lights. (Optional connection to your black water tank gauge).
- Economical flush (0.63 gallons), normal flush (0.79 gallons). Adjustable to up to 1 gallon.
- “Empty” button removes water from the bowl. Used for maintenance as well.

## BENEFITS



### SIMPLICITY

Installation is very simple as it easily replaces old hand pump toilets.



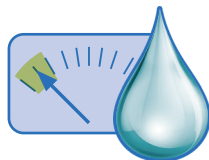
### ENVIRONMENTAL

Eco-friendly pump systems give you flexibility in your installation as the toilet and black water tank can be several feet away.



### SILENT

These systems are the quietest electric toilets on the market.



### EFFICIENT

Economical systems as water and electrical consumption are minimum.



### SOLIDLY BUILT

Excellent macerating system patented more than 60 years ago for worldwide use.